

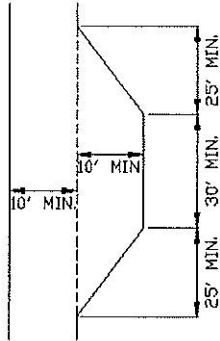


## **Fire Department Requirements for Madera County Driveways**

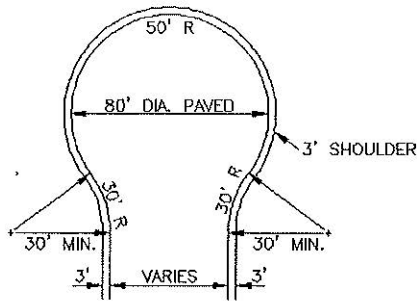
- Minimum driveway width must be 12 feet.
- As the driveway is more than 300 feet, a turnaround is required near the building site and shall be within 50 feet of the building. Turnarounds must be a minimum 40 foot radius from center of drive. If a hammerhead "T" is used, the tip of the "T" shall be 60 feet by 20 feet. Provide a detail with dimensions and location on the plot plan.
- A midpoint turnout is required on this driveway as it exceeds 150 feet. A turnout shall be a minimum of 10 feet wide and 30 feet long with a 25 foot taper on each end. Provide a detail with dimensions and location of the turnout on the plot plan.
- Two midpoint turnouts are required on this driveway as it exceeds 800 feet. Where a driveway exceeds 800 feet, turnouts shall be provided no more than 400 feet apart. A turnout shall be a minimum of 10 feet wide and 30 feet long with a 25 foot taper on each end. Provide a detail with dimensions and location of the turnout on the plot plan.
- Vertical driveway clearance must be 15 feet.
- The road/driveway grade cannot exceed 16 %.
- Driveways must be an all-weather surface capable of supporting a 40,000 pound apparatus. The driveway will require a compaction test. Must have a minimum compaction of 90% and for flood zones a minimum compaction of 95%.



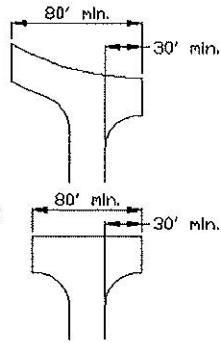
TURNOUT  
DETAIL 1



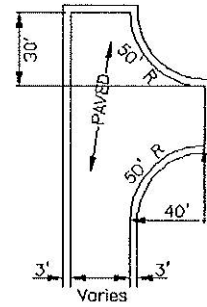
CUL-DE-SAC



HAMMERHEAD



TURN AROUNDS



See Appropriate  
Typical Section

THE STRUCTURAL SECTION  
SHALL BE THE SAME  
AS THE MAIN ROAD.